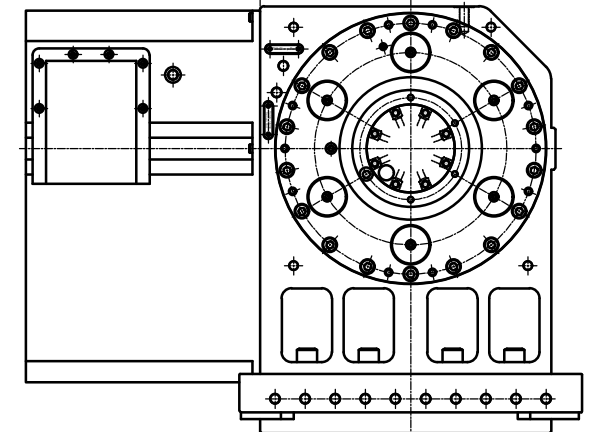
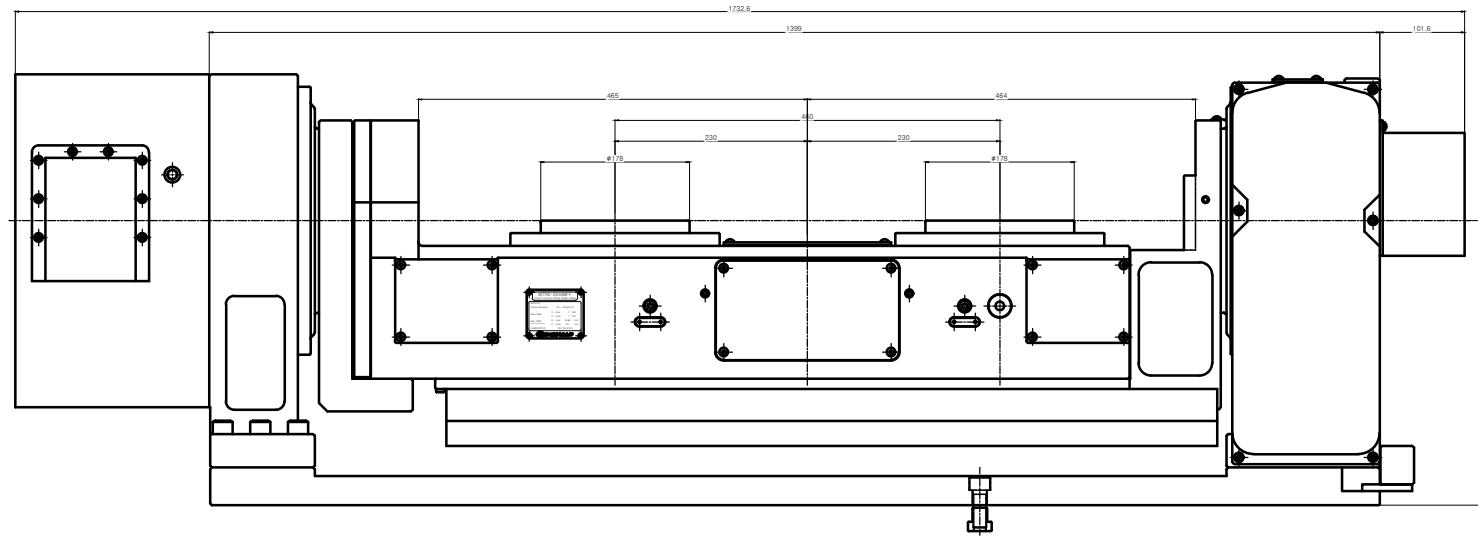
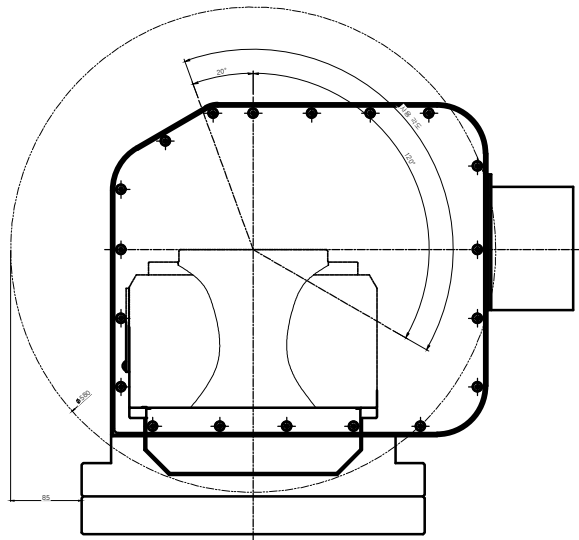


"회전축 단면도"

[ MTR2-25446YY Specifications ]			
A 축 사양 (경사)		C 축 사양 (회전)	
Tilting Angle	-20° ~ +120°	Rotating Angle	360°
Clamp Force	2600 N.m	CLAMP FORCE	1600 N.m
Clamp Pressure	25 ~ 35 kgf/cm <sup>2</sup>	Clamp Pressure	25 ~ 35 kgf/cm <sup>2</sup>
Gear Ratio	1 / 180	Gear Ratio	1 / 120
Max. RPM	16.6 (Motor 3000 rpm <sup>-1</sup> )	Max. RPM	25 (Motor 3000 rpm <sup>-1</sup> )
Servo Motor	SGM7G-20A7A6S	Servo Motor	SGM7G-20A7A6S
		Work Weight ( kgf )	Left Axis : 60 Right Axis : 60

Weight : ~ kgf ( 유압 배관 제외 )



△	△	△	△	△	△	△	△	△	△
기타	변경내역	작성일자	작성인	확인인	확인일자	작성일자	작성인	확인인	확인일자

TITLE	NC ROTARY TABLE	MP NO.	MTR2-25446YY 01
DRG NO.	MTR2-25446YY-V1 0-504-00	USER	-
CODE NO.	-	DESIGN	Research & Development
DATE	-	DATA	-
SCALE	1:1	APPROVED	CHECKED
		DESIGNED	-